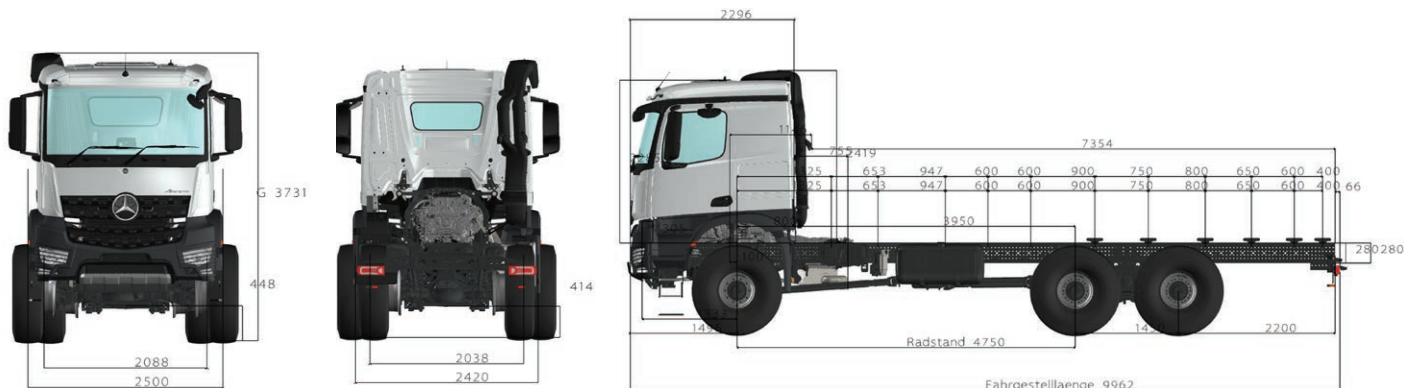


Technical Specifications

Arocs 5
3352AE/48 6x6
Rigid chassis



General information

Baumuster	96401822
Specifications date	January 2023
Emissions standard	Euro III
Cab version	L-cab
Wheelbase	Wheelbase 4800 mm
Rear overhang	Frame overhang 2200 mm

Dimensions [mm]

	Laden	Unladen
Frame height at front	1.231	1.322
Frame height at rear	1.237	1.315
Total height incl. air intake	3.742	
Ground clearance at front	412	
Ground clearance at rear	377	
Turning circle [m]	24,90	
Maximum body length with recommended clearance with even load**	8.830	
Maximum body length at recommended clearance with max. vehicle overhang	8.248	
Recommended clearance	50	

** Theoretical value, not taking account of statutory requirements and other technical specifications.

Engine

Engine: M3N	Eng. OM473, inline 6, 15.6 l, 380kW (517hp), 2600 Nm
Emissions standard: M5W	Engine version, Euro III

Power transmission

Clutch	Double-disc clutch
Transmission	Transmission G 280-16/11.7-0.69
Transfer case	Transfer case VG 2800-3W/1.45-1.04, permanent
Final drive ratio	Axle ratio $i = 5.333$

Note: Subject to change without notice. All the information in this data sheet should be viewed as indicative. Please consult your Mercedes-Benz commercial vehicle dealer for final details.
Version: 01/2023



Chassis

Front springs	Front spring, 8.0 t, 3-leaf			
Rear springs	Leaf suspension, rear axle			
	Axles	Wheels	Tyres	Tyres
Front axle	Front axle 8.0 t	2	14.00 R 20	Wide-base rims, 10.00W-20, tubeless, single tyres
Rear axle	Rear axle, crown wheel 300, planetary, 13.4 t	2	14.00 R 20	Wide-base rims, 10.00W-20, tubeless, single tyres
Rear axle 2	Rear axle, crown wheel 300, planetary, 13.4 t	2	14.00 R 20	Wide-base rims, 10.00W-20, tubeless, single tyres

Equipment

Brakes	Drum brakes on front and rear axle
Braking system	Electronic braking system with ABS
Engine brake	High Performance Engine Brake
Battery	Batteries 2 x 12 V/170 Ah, low-maintenance
Battery carrier	Battery carrier, batteries side by side
Fuel capacity	Tank, 390 l, left, 650 x 565 x 1250 mm, steel
Steering	Steering, single-circuit
Frame	High-strength with continuous U-section side members with constant web height, hole pattern 50x50 mm, frame track at rear 744 mm

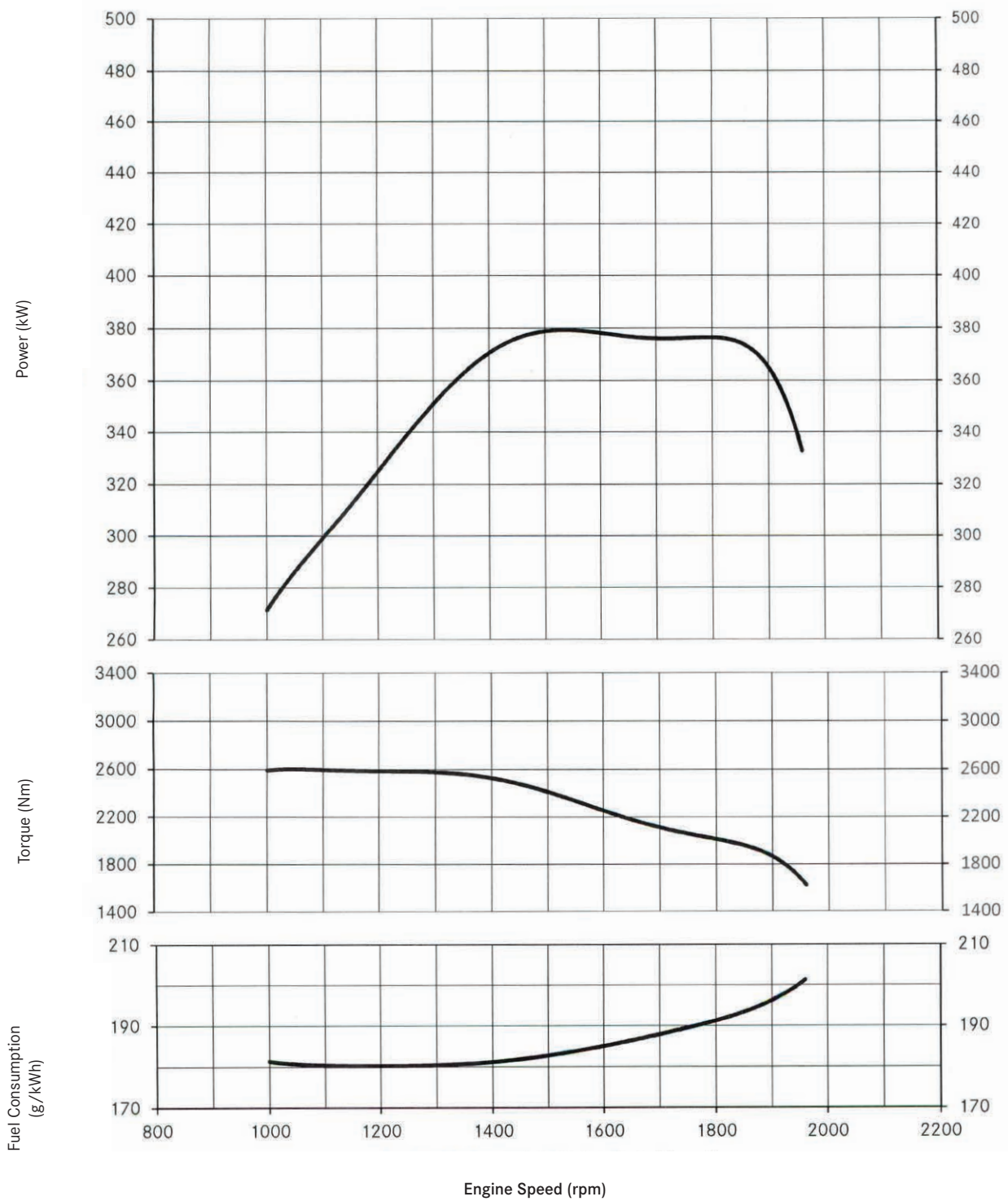
Vehicle Masses [kg]

	Front Axle	Rear Axle	Total
Manufacturer's mass	8,000 (GA)	21,000 (GAU)	26,000 (GVM)
Permissible mass	7,700 (A)	16,000 (AU)	23,700 (V)
Tare mass**	6,103	4,604	10,707
Payload/fifth-wheel load	1,597	11,396	12,993
Manufacturer's gross combination mass (GCM)		68,000	
Permissible drawing vehicle mass (D/T)		68,000	

** Tare Mass refers to the mass of the unladen vehicle in ready to drive condition, chassis with cab and / or coupling device for truck tractors . Including coolant, oils, spare wheel but excluding fuel and driver as per the National Road Traffic Act (NRTA) regulations.

Note: Subject to change without notice. All the information in this data sheet should be viewed as indicative. Please consult your Mercedes-Benz commercial vehicle dealer for final details.
Version: 01/2023





Power, Torque

OM 473, 380 kW at 1600/min,
Euro III 2600Nm at 1100/min

Stationary full load curves

Note: Subject to change without notice. All the information in this data sheet should be viewed as indicative. Please consult your Mercedes-Benz commercial vehicle dealer for final details.
Version: 01/2023



Sales Codes in Alphabetic Order

A1D	Front axle 8.0 t	E4B	Interface, FMS Fleet Management System
A1W	Differential lock, front axle	E5A	No. 1 switch, for non-MB body electrics
A1Y	Front axle, straight version	E6A	Trailer socket, 24 V, 15-pin
A2G	Rear axle, crown wheel 300, planetary, 13.4 t	E6Z	Reversing buzzer
A6J	Axle ratio i = 5.333	F0G	Side module, N3G vehicle
B1A	Electronic braking system with ABS	F0Y	Mirror cover, construction vehicle
B1F	Heating, electronic air-processing unit	F1R	L-cab
B1H	Electr. compressed air supply and control, centre	F1T	L-cab ClassicSpace, 2.30 m, tunnel 320 mm
B1Z	ABS, disengageable	F2C	Floor variant, tunnel 320 mm
B2B	Drum brakes on front and rear axle	F2G	Cab width 2.30 m
B2X	Parking brake, electronic	F2N	Cab, 600 mm attachment height
B4A	Condensation monitoring, for compressed air sys.	F2U	ClassicSpace
B4M	Air reservoir, steel	F3A	Cab mountings, standard, steel-sprung
B5B	Trailer brake, 2-line	F3E	Cab mountings, rear, reinforced
C2R	Wheelbase 4800 mm	F3W	Cab tilting mechanism, mechanical-hydraulic
C4F	Frame overhang 2250 mm	F4I	Cab rear wall, with window
C5I	Mounting parts, for platform	F4X	Stowage compartment exterior flap, left
C5P	Bolted frame	F4Y	Stowage compartment exterior flap, right
C6C	Steering, single-circuit	F5L	Sun visor, exterior, transparent
C6J	Power steering pump, uncontrolled	F5Y	A-pillar trim
C6Q	Stabiliser, front axle	F6C	Windscreen, tinted
C6Y	Stabiliser, under frame, rear axle	F6I	Front mirror, heated
C7I	Battery carrier cover, lockable	F6Q	Air horn
C7J	Battery carrier, batteries side by side	F7B	Bumper, with steel corners
C8F	Wing, for chassis transit	F7D	Bumper centre section w. towing eyes, coupling jaw
C9Y	Deletion, rear underride guard (ECE)	F7Y	Cab entrance, left/right, movable
CLW	Steering oil cooling	F8B	2 remote control keys
D0S	Compressed-air connection, in cab	F8E	Locking system, with central locking
D1B	Driver's suspension seat, standard	F8F	Extended central locking
D1N	Fold-up co-driver's seat	F8H	2 remote control keys, additional
D2N	Driver's seat backrest, release mechanism	F8W	Rain sensor
D2W	Armrests on both sides, co-driver's seat	G0B	Powertrain, 44 t to 80 t
D2Y	Seat belt monitor	G0R	Transmission support arms, optimised for removal
D3B	Luxury bed, bottom	G0W	Drive program offroad
D3X	Seat cover, flat-weave fabric	G2D	Transmission G 280-16/11.7-0.69
D4U	Curtain, for rear wall window	G4D	Transfer case VG 2800-3W/1.45-1.04, permanent
D4Y	Sunblind, side, driver's side	G4Z	Oil cooler, for transfer case
D5Y	Rubber mats, driver's and co-driver's side	G5B	Double-disc clutch
D6F	Air conditioning system	G5G	Mercedes PowerShift 3
D6Z	Construction-site filter	J1H	Instrument cluster, 12.7 cm
D7G	Stowage compartment lid, driver and co-driver side	J1Z	Speedometer, deletion, tachograph
D7R	Stowage flaps, above windscreen	J2E	Radio with USB connector
D8A	Roof hatch/vent, roof	J2I	Standard loudspeaker
DUP0	Basetype	J3V	Truck Data Center7
E1B	Batteries 2 x 12 V/170 Ah, low-maintenance	J6A	Classic Cockpit
E1M	Alternator, 28 V/150 A	J7C	Card Reader for Truck Data Center
E3B	Connection point 12V/15A, for auxiliary consumers	J8C	Pre-fitted card reader for Truck Data Center
E3E	Additional socket, 12 V/15 A, co-driver footwell	J8Y	Pre-installation for Truck Data Center 7
E3L	Socket, 24 V/15 A, co-driver footwell	K0T	Main tank, left
E3W	PSM, 2nd generation	K5B	Tank, 390 l, left, 650 x 565 x 1250 mm, steel

Note: Subject to change without notice. All the information in this data sheet should be viewed as indicative. Please consult your Mercedes-Benz commercial vehicle dealer for final details.
Version: 01/2023



Sales Codes in Alphabetic Order Continued

K5M	Tanks, lockable	R4Y	Wide-base rims, 10.00W-20, tubeless, single tyres
K5Q	Fuel screen, tank filler neck	R8F	Spare wheel carrier, provisional
K7D	Exhaust system, tailpipe to right and outwards	R8P	Spare wheel/spare wheel rim
K7F	Exhaust system, offset, for large tyres	S5E	Speed limiter, 80 km/h
L0A	Illumination regulation, in acc. with UN-R 48.06	S5Z	Cruise control
L1I	Fog lamps, LED daytime running lamps	S8A	First aid kit
L1P	LED tail lights	S8C	Hazard warning triangle
L2H	Side marker lamps, flashing	S8D	Warning lamp
L4Z	Protective grille, metal, for headlamps	V0T	Vehicle class N3G, off-road vehicle
L9A	Pre-installation for rotating beacons	V1B	Arocs
M0A	Engine mounts, reinforced	V1Z	Grounder
M0C	Bottom shell to prevent swirling-up of dust	V2J	Arocs model generation 5
M0Z	Noise regulation acc. to UN-R 51.03, phase 1	V8A	Chassis number FIN
M3N	Eng. OM473, inline 6, 15.6 l, 380kW (517hp), 2600 Nm	W2V	Weight variant 26.0 t (8.0/10.5/10.5)
M5T	Turbocompound	X1A	Instrument/labels/documentation, English
M5V	High Performance Engine Brake	X2I	Model plate, export
M5W	Engine version, Euro III	X3Z	Powertrain warranty as per T and Cs 3yrs/250,000km
M6L	Air compressor, 2-cylinder	Y4A	Telescopic jack, 12 t/19 t
M7I	Insect screen in front of cooling system	Y4J	2 wheel chocks
M7J	Guard plate, bumper	Y4W	Tool kit, extended
M7U	Cooling output for hot regions	Y4X	Tyre inflating hose, 25 m
M8B	Air intake behind cab, mounted	Y4Z	Compressed-air gun, with hose
M8L	Cyclone filter for coarse dust	Y6A	Country-specific version
M8Y	Fuel pre-filter, chassis-mounted, additional	Z4O	Tank cross-section, narrow
N2E	PTO MB 131-2c, pump	Z4Q	Tank cross-section, low
N6Z	Transmission oil cooling	Z5F	OM 473
Q1N	Front spring, 8.0 t, 3-leaf	Z5M	PTO, single
Q3B	Rear springs, 2 x 13.0 t, for axle spacing 1450 mm	Z5S	Power take-off, pump, under top edge of frame
Q8M	End crossmember lower, reinforced	Z5W	Right-hand drive
Q9B	Pre-inst. retrofit trail. coup. centre-axle trailer	Z5Z	Vehicle, for left-side traffic
R0V	Vehicle adaptation, large tyres		

Note: Subject to change without notice. All the information in this data sheet should be viewed as indicative. Please consult your Mercedes-Benz commercial vehicle dealer for final details.
Version: 01/2023

